

CMC POLIMER

About us...

CEM CINAR

FOUNDER / MECHANICAL ENGINEER

CMC POLİMER PLASTİK KİMYA SAN. TİC. LTD. ŞTİ.

Who we are?

CMC POLİMER Plastik Kimya San. ve Tic. Ltd. Şti. has been founded by **Cem Çınar*** in Izmir at the beginning of 2016.

CEM ÇINAR – Mechanical Engineer

Personal Experience:

- E POLİMER - Engineering Plastics Raw Materials Distributor

Aegean Region/Bursa Automotive Sales Manager (2015)

- YUDO – Mould Hot Runner Systems : <http://www.yudo.com/>

Bursa Regional Sales Manager (2014)

- AKDENİZ KİMYA - PVC Chemicals : <http://www.akdenizkimya.com.tr/>

Technical Sales and Engineering Solutions Representative (2013-2014) ; Responsible from technical sales, trials and creating new product formulations in the areas of designation

- VESTEL - Household Appliances Company : <https://www.vestel.com.tr/>

R&D/ Plastic Raw Materials Team Leader(2011-2013) ; Responsible from all the approvals for raw material purchases of the Refrigerator Factory, selection of the raw materials to be used, also assigned for engineering problem solutions in plastic production, the quality and cost improvement projects

- LOCAL TRADER FIRM in Izmir - Plastic Raw Materials Trading Company :

Sales Representative (2005-2010)

- POLYTOP - Professional Auto Detailing and Protection Systems :

Founder (2002-2005) ; Franchising during college years

* ([Cem Cinar LinkedIn](#))

OFFICE & CONTACT

► CMC POLIMER Office

CMC POLİMER is a trader firm and start to work in building of Originn Offices, located in Bornova, Izmir. Beginnig of the 2020, CMC POLİMER opened the new Office and Wear House at Isikkent-Bornova, Izmir.

Our Wear house have 150 ton capacity. We use our wear house for special product. Our commodity materials are send to directly from our different wear houses.



Adress / Karacaoglan Mah. 6169 Sok.
No : 8/21 Isikkent
Bornova – IZMIR / TURKEY

Phone / Fax +90 (232) 700 10 75
Web / www.cmcpolimer.com

GSM / +90 (532) 5171075
E-mail / info@cmcpolimer.com

OUR YOUNG TEAMS

FOUNDER / MANAGER

CEM ÇINAR

cem.cinar@cmcpolimer.com

SALES REPRESENTATIVE

HAKAN ERDOĞAN

hakan.erdogan@cmcpolimer.com

Plastik Kimya Sanayi Ticaret Ltd. Şti.

SALES SUPPORT

ECE ŞENGÜL

satisdestek@cmcpolimer.com

ACCOUNTANT

BURCU TÜZÜN

muhasebe@cmcpolimer.com

DISTRIBUTORSHIPS

► **Merit Plastik Kauçuk San. Tic. A.Ş.**

Merit Plastic was established in 2012 and continues in production of Soft PVC granules and Thermoplastic Elastomers with experienced team and sizable investment in Izmir/TURKEY.

CMC Polimer is ready to provide flexible solutions for our existing and new potential customers with Merit.

<http://www.meritplastik.com>

► **Yapraksan Plastik San. ve Tic. A.Ş.**

CMC Polimer is a distributor of the Yapraksan Plastik at Egean Region and Bursa Region.

Yapraksan manufactures White, Black and Color Masterbatches and Plastic Additives at İstanbul factory.

<http://www.yapraksanmasterbatch.com>

► **Batı Polimer San. Tic. A.Ş.**

CMC Polimer sells all PE / PP grades, PS, POM, EVA, ABS, PC raw materials with BATI POLIMER.

<http://www.batipolimer.com>

► **Polyone Tekno Polimer Müh. Pls. San. ve Tic. A.Ş.**

CMC Polimer is a partner of the Polyone – Tekno Polimer at Egean Region.

Polyone manufactures PP, PA, PC, ABS plastics Engineering Compounds at different factories.

PARTNERSHIPS

► **Ravago Petrokimya Satış ve Pazarlama A.Ş.**

CMC Polimer work with Ravago Petrokimya as a partner at our regions.

Ravago is manufactures PP, PA, PC, ABS plastics Engineering Compounds at different factories.

► **Top Green Polymer Solutions / Israel**

CMC Polimer is a partner of the Top Green Polymer at Turkey.

TOPGREEN POLYMER SOLUTIONS is offering TOPFUSION® adhesives and advanced technical compounds. Top Green products are produced with cutting edge technology with management emphasize on using clean and efficient energy, renewable resources and highest quality standards.

<http://www.topgreenpolymers.com>

► **Some Local Compound and Plastics Manufacturer Firms at the Automotive and the Household Appliances sectors.**

CURRENT ACTIVITIES

CMC POLIMER is currently active in the sales and business follow up for the range of products listed below:

- TPE, TPU, TPV, TPR, etc.,
- Soft PVC and its Compounds, Compounds for Rigid PVC,
- Color Masterbatches, Plastic Additives,
- PP – PP – PS – POM – EVA – ABS - PC Raw materials.
- PA / PP Compounds,
- A big range of Engineering Plastics and their Compounds.



THE RANGE OF PRODUCTS;

CMC POLIMER provides all standard products of TPE, TPV, TPU, Soft PVC, Colorants and Compounds and We also offer the custom products which are specifically designed according to the customer's needs.

▶ PRODUCT GROUP 1 :

- ❑ **TPE**
 - ▶ A wide range of hardness levels and colors
 - ▶ Specific to the sectors (Automotive, Household Appliances, Medical, Food-safe, UV-resistant, etc.)
- ❑ **TPV**
 - ▶ Specific to the sectors (Automotive, Household Appliances, etc.)
- ❑ **TPU**
 - ▶ Specific to the sectors (Automotive, Household Appliances, Medical, Food-safe, UV-resistant, etc.)

▶ PRODUCT GROUP 2 :

- ❑ **PVC**
 - ▶ A wide range of hardness level, transparent soft PVC
 - ▶ A wide range of hardness level, colored soft PVC
 - ▶ Specific to the sectors (Automotive, Household Appliances, Medical, Food-safe, UV-resistant, etc.)
 - ▶ Filled PVC Compounds (Wood, calcite, colored, etc.)

▶ PRODUCT GROUP 3 :

- ❑ **Colored Masterbatches**
- ❑ **White Masterbatch**
- ❑ **Black Masterbatch**
- ❑ **Filler Masterbatch**
- ❑ **Process Modifiers**
- ❑ **Additives (UV, FR, NU Agent, Desiccant, Antifog, etc.)**

▶ PRODUCT GROUP 4 :

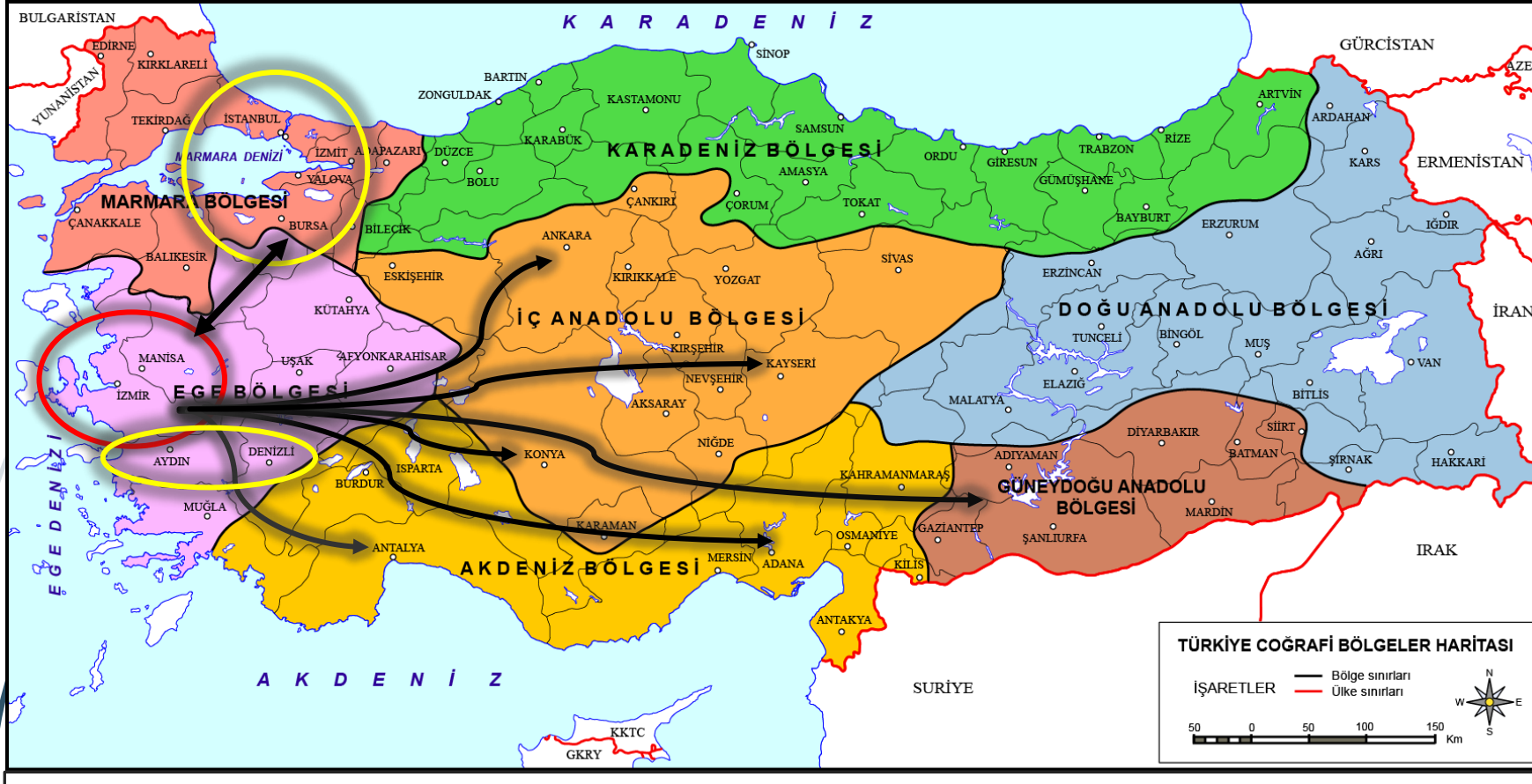
- ❑ **Specific to sector PA 6/6.6 Compounds**
- ❑ **(Fiber, Beads, Minerals, etc. filled...)**
- ❑ **Specific to sector PP Compounds**
- ❑ **(Fiber, Beads, Minerals, etc. filled...)**
- ❑ **Recycling Compounds**
 - ▶ Industrial PA 6/6.6 Compounds
 - ▶ Industrial PP Compounds
- ❑ **Innovative Polymers specific to the sector...**

▶ OTHER PRODUCT GROUP :

- ❑ **PP**
 - ▶ PPH – PETKİM and Imported grades
 - ▶ PPC - PPRC
- ❑ **PE**
 - ▶ HDPE - PETKİM and Imported grades
 - ▶ LDPE /LLDPE - PETKİM and Imported grades
- ❑ **PS**
 - ▶ GPPS
 - ▶ HIPS
- ❑ **POM**
- ❑ **EVA**
- ❑ **ABS**
- ❑ **PC**

REGULAR AND POTENTIAL VISITING REGIONS

9



REGULAR REGIONS:

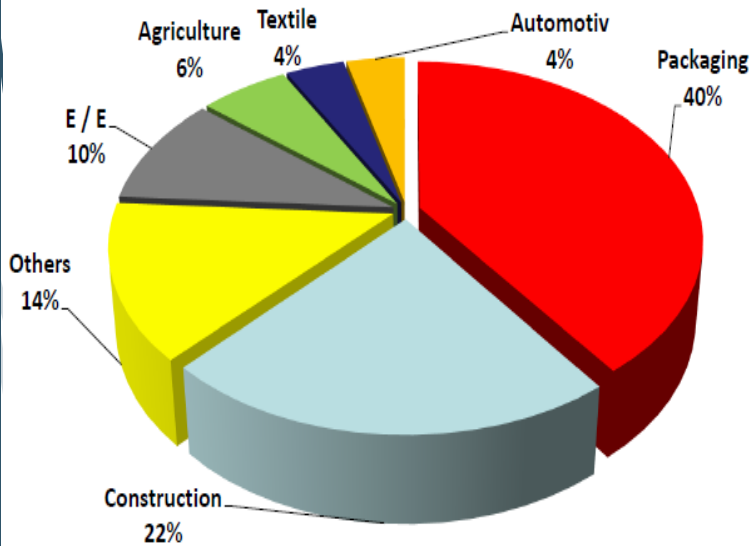
- İZMİR (Aegean Region)
- MANISA
- BURSA
- AYDIN
- ANTALYA
- DENİZLİ
- ESKİŞEHİR
- ANKARA

POTENTIAL REGIONS:

- ANKARA
- İSTANBUL (MARMARA Region)
- GAZİANTEP
- ADANA
- KONYA
- KAYSERİ

REGIONAL SECTOR DISTRIBUTION IN TURKEY

TURKISH PLASTICS CONVERTER INDUSTRY BY MARKETS



REGULAR VISITING REGIONS;

CMC POLIMER has an established network and strong relationships in the plastic market of Turkey. With the new partnerships and the new products, we aim to extend the range of our products and customer portfolio while enhancing the potential of companies we work for. As a strategy of the company, CMC POLIMER visits the customers regularly to ensure the customer satisfaction and continuously seek for new projects with existing and new customers.

► AEGEAN REGION

- ❑ **İZMİR – MANISA** : HOUSEHOLD APPLIANCES, AUTOMOTIVE, ELECTRIC-ELECTRONIC, MEDICAL, PACKAGING
- ❑ **AYDIN** : HOUSEHOLD APPLIANCES, AGRICULTURE
- ❑ **DENİZLİ** : TEXTILE, CABLE

► MARMARA REGION

- ❑ **BURSA** : AUTOMOTIVE, FURNITURE, TEXTILE, PACKAGING
- ❑ **İSTANBUL – İZMİT - TEKİRDAĞ** : AUTOMOTIVE, HOUSEHOLD APPLIANCES, TEXTILE, CONSTRUCTION, ELECTRIC-ELECTRONIC, MEDICAL, PACKAGING

POTANTIAL REGIONS;

In addition to the current customer profile, CMC POLIMER has a strong potential customer profile based on the previous experiences, particularly in the regions and sectors listed below. We have all required infrastructure to extend our regions of interest that may stem from the new partnerships and the new range of products.

► CENTRAL ANATOLIA REGION;

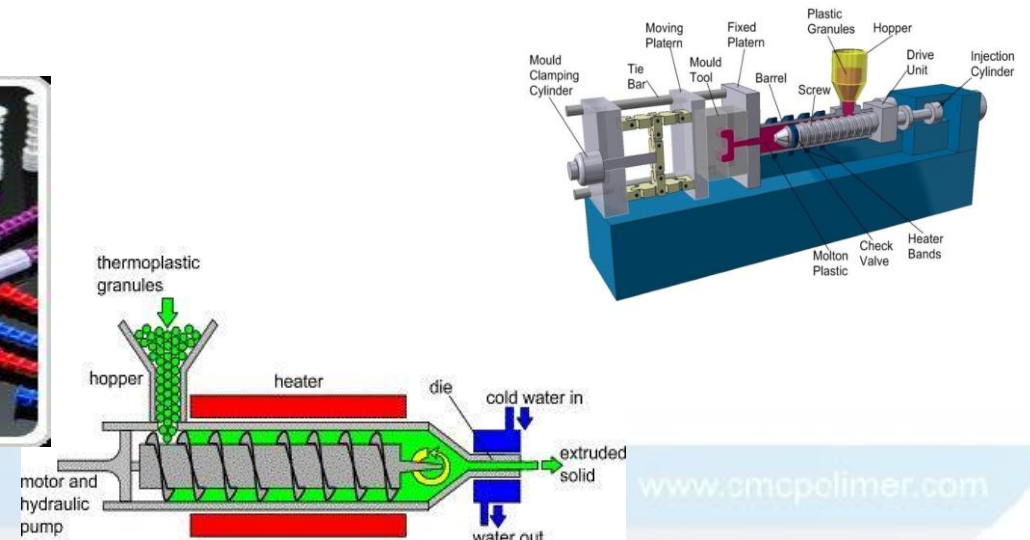
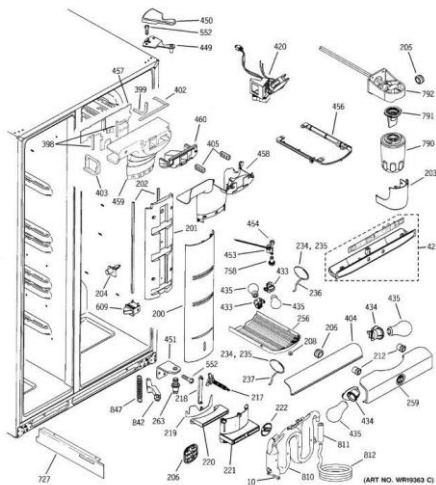
- ❑ **ANKARA** : AUTOMOTIVE, DEFENCE, PACKAGING
- ❑ **ESKİSEHIR** : HOUSEHOLD APPLIANCES, DEFENCE
- ❑ **KONYA** : AUTOMOTIVE, AGRICULTURE
- ❑ **KAYSERİ** : CONSTRUCTION, ELECTRIC-ELECTRONIC, AGRICULTURE, PACKAGING

► SOUTHEAST – MEDITERRANEAN REGIONS;

- ❑ **GAZİANTEP** : PROFILE, CONSTRUCTION, TEXTILE, ELECTRIC-ELECTRONIC, PACKAGING
- ❑ **ADANA** : CONSTRUCTION, AGRICULTURE
- ❑ **ANTALYA** : AGRICULTURE, TOURISM

TARGETS

- To extend our product range and regions by initiating new partnerships in the forms of distributorship, agency, technical support and/or consultancy,
- To form a bridge between international markets and the plastic sector in Turkey (to import new products and knowhow transfer through international training, workshops, conferences and fairs),
- To be a solution partner for the manufacturing processes such as plastic raw materials, additives, injection molding, extrusion, blow molding, rotation molding, etc.,
- To perform/involve in projects of creating alternative cost-effective raw materials as well as incorporating new companies.
- To perform cost reduction projects,
- To offer engineering solutions to raw material or process related problems, to provide consultancy from experts and academia,
- To initiate permanent project based partnerships,
- To involve in the technology transfer projects (from academia to industry) by adapting the scientific studies to currently available processes and the present market conditions.



IZMIR/TURKEY



KIND REGARDS...